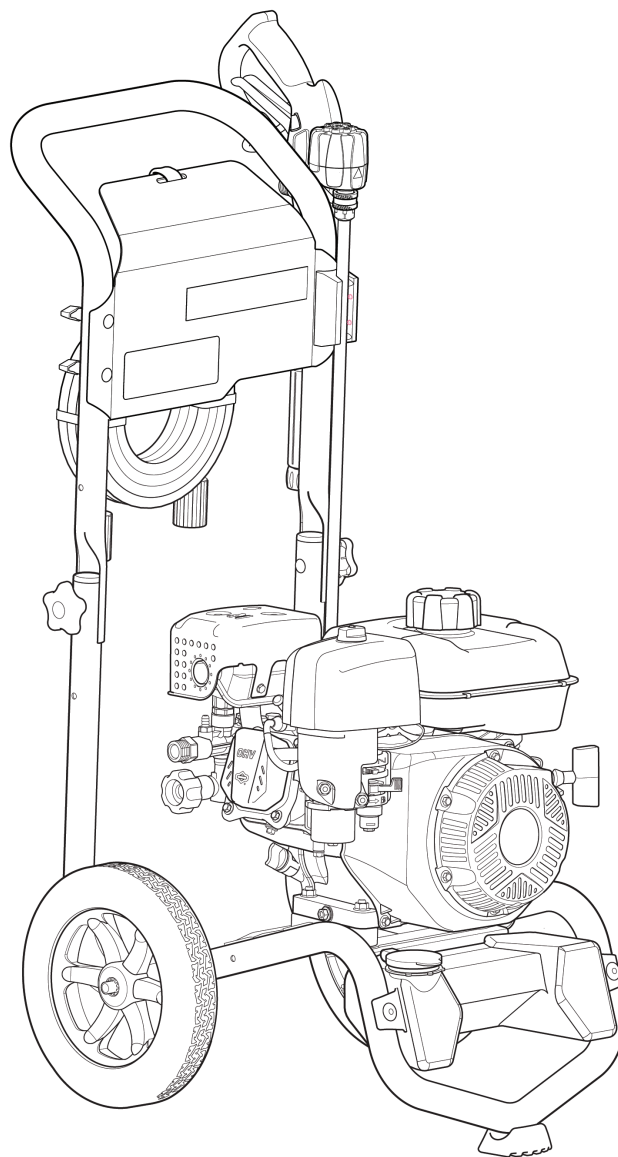


Parts Manual

Mfg. No: 020798-00
3,200 PSI Husqvarna Pressure Washer



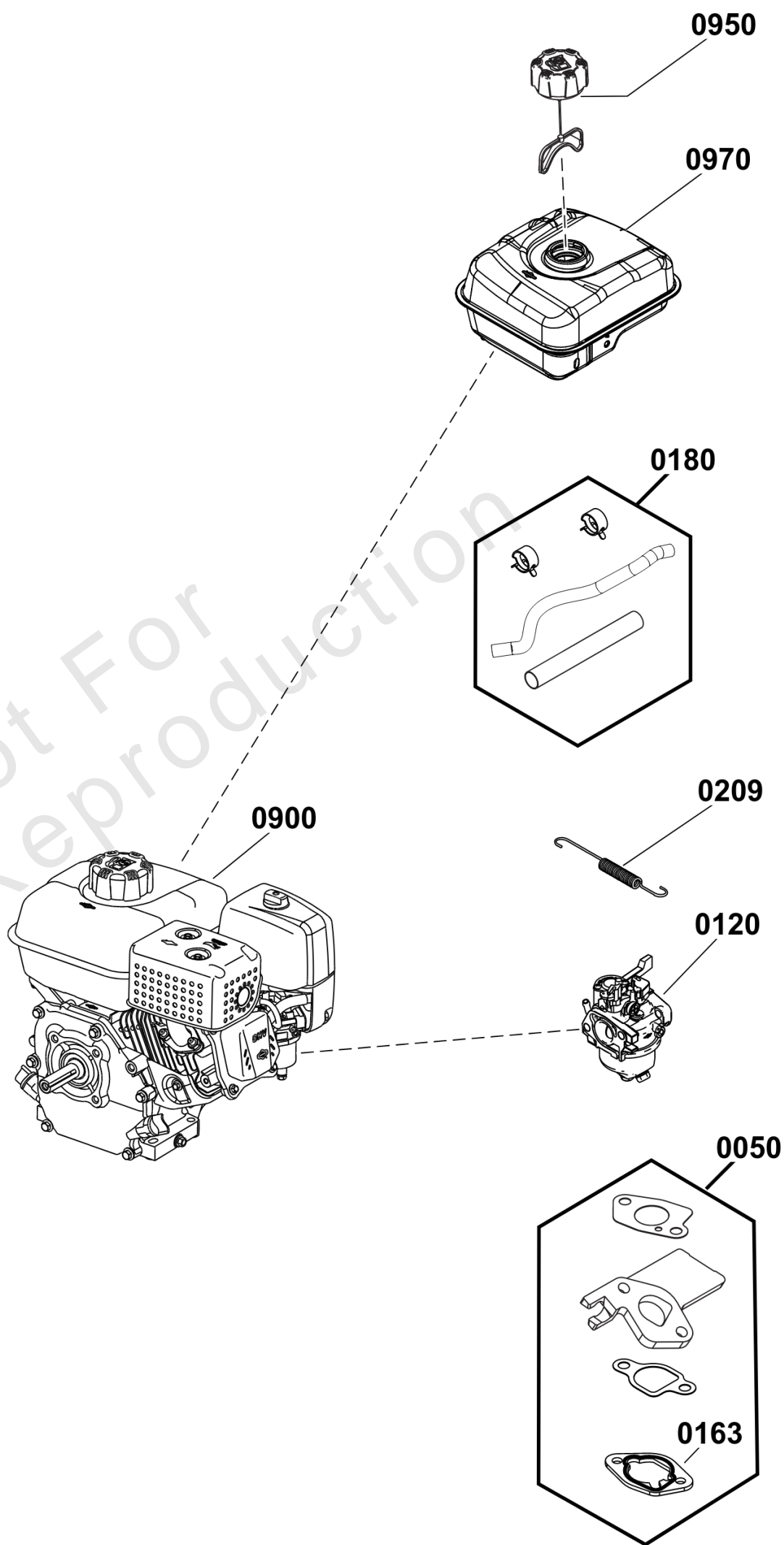
| Model Components | Page |
|---|-------------|
| Engine Carburetor Fuel Supply (80098013)..... | 4 |
| Engine Ignition Lubrication (80098013)..... | 6 |
| Engine Rewind Exhaust (80098013)..... | 8 |
| Main Unit..... | 10 |
| Pump (316932srv)..... | 12 |
| Torque Specification Chart..... | 14 |

Not For
Reproduction

Engine Carburetor Fuel Supply (80098013)

Note: Unless noted otherwise, use the standard torque specifications

Mfg. No: 020798-00



Engine Carburetor Fuel Supply (80098013)

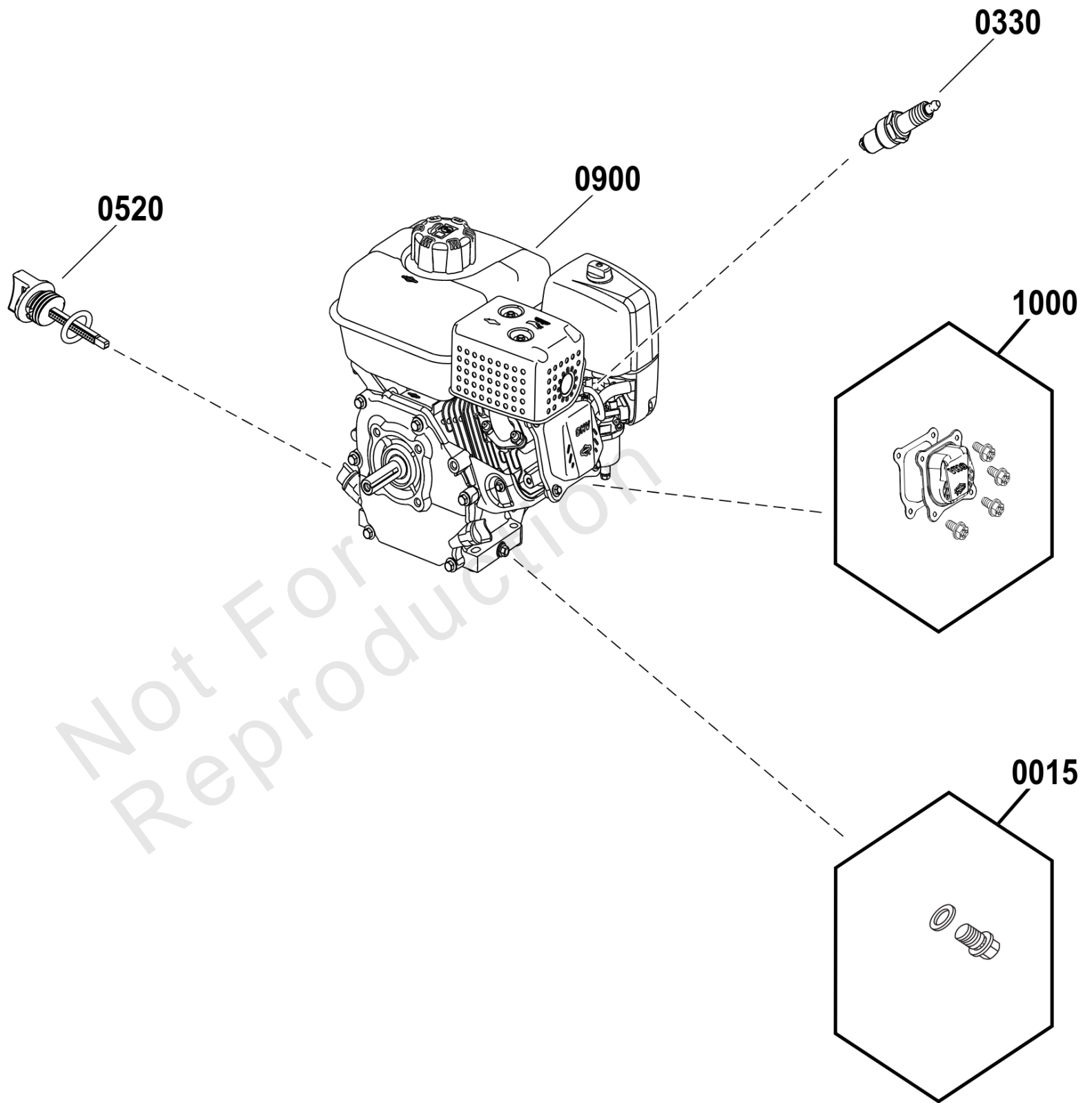
| REF NO | PART NO | QTY | DESCRIPTION |
|--------|----------|-----|--|
| 0050 | 84006542 | 1 | KIT, Carburetor Gasket -(Contains Item 0163) |
| 0120 | 84006543 | 1 | CARBURETOR |
| 0163 | 797282 | 1 | GASKET, Air Cleaner |
| 0180 | 84006544 | 1 | KIT, FUEL HOSE |
| 0209 | 797691 | 1 | SPRING, Governor |
| 0900 | ----- | 1 | ENGINE, 208CC, BLACK RECOIL -(Complete Engine Not Servicable) |
| 0950 | 799324 | 1 | CAP, Fuel Tank |
| 0970 | 84006545 | 1 | TANK, Fuel -(Contains Item 0180) |

Not For Reproduction

Engine Ignition Lubrication (80098013)

Note: Unless noted otherwise, use the standard torque specifications

Mfg. No: 020798-00



Not For
Reproduction

Engine Ignition Lubrication (80098013)

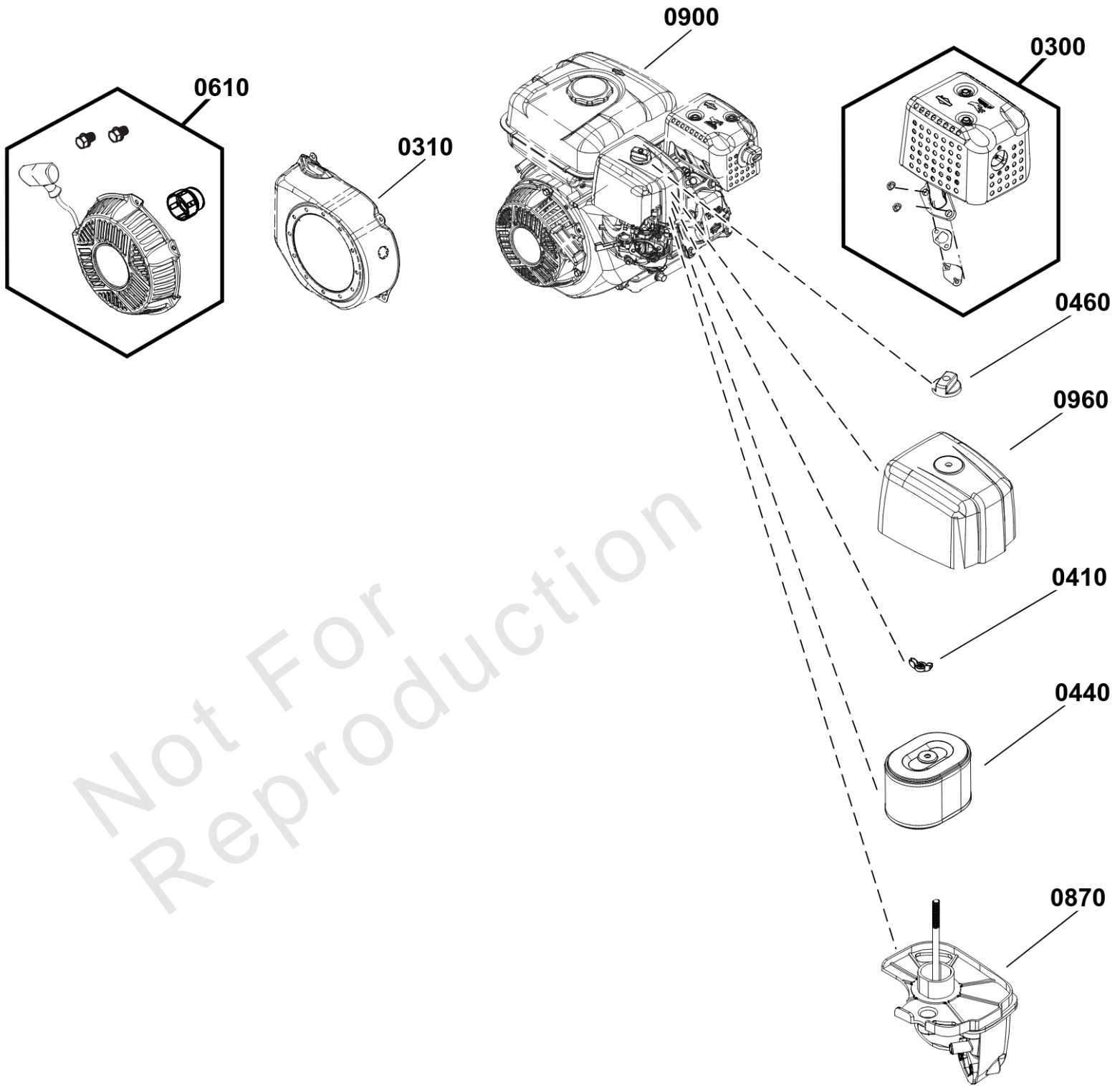
| REF NO | PART NO | QTY | DESCRIPTION |
|---------------|----------------|------------|--|
| 0015 | 797215 | 1 | PLUG, Oil Drain -(Includes Washer) |
| 0330 | 798615 | 1 | PLUG, Spark |
| 0520 | 84006548 | 1 | DIPSTICK, Oil -(Includes O-ring) |
| 0900 | ----- | 1 | ENGINE, 208CC, BLACK RECOIL -(Complete Engine Not Servicable) |
| 1000 | 84006549 | 1 | COVER, Rocker |

Not For Reproduction

Engine Rewind Exhaust (80098013)

Note: Unless noted otherwise, use the standard torque specifications

Mfg. No: 020798-00



Engine Rewind Exhaust (80098013)

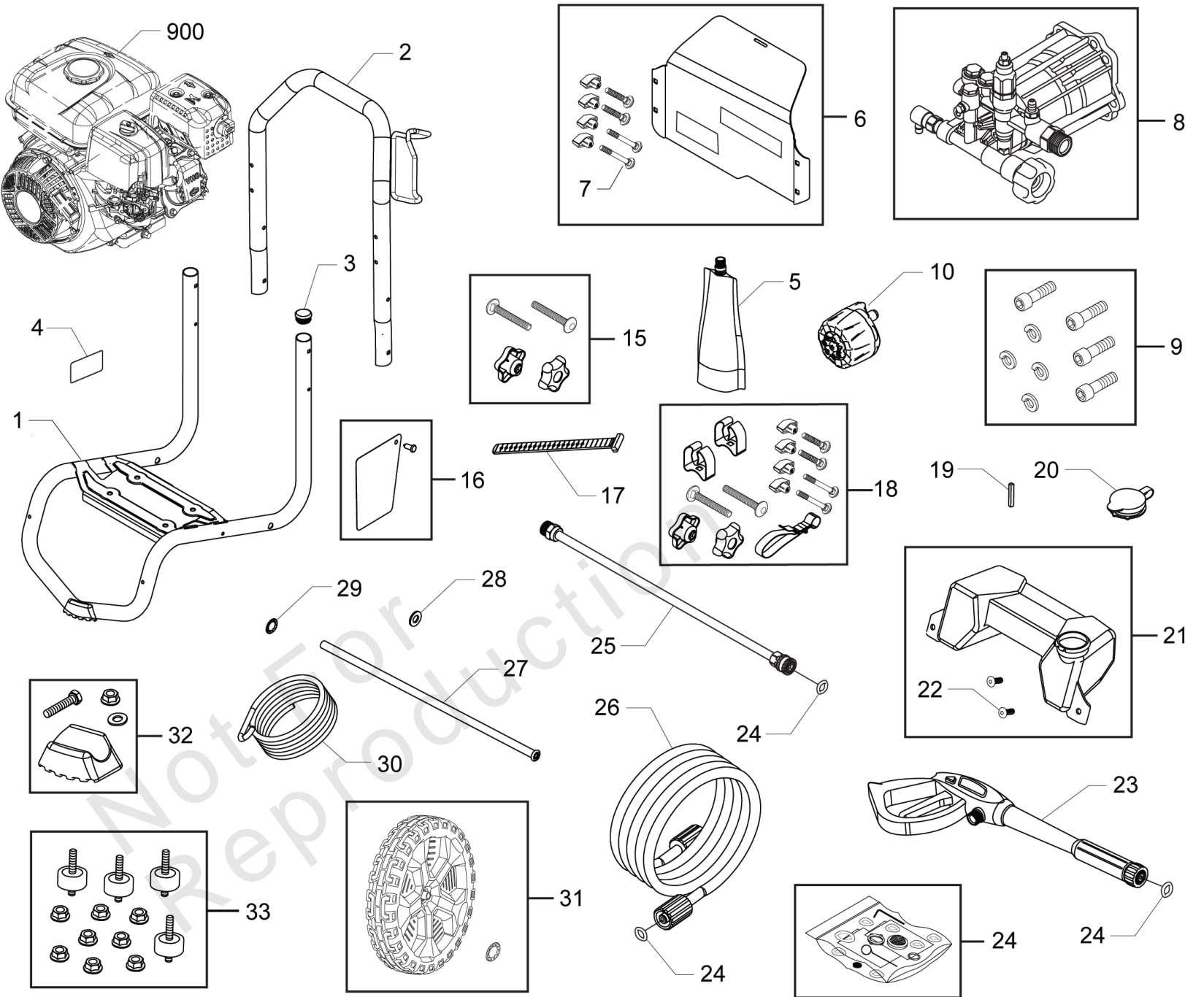
| REF NO | PART NO | QTY | DESCRIPTION |
|--------|----------|-----|--|
| 0300 | 84006546 | 1 | MUFFLER |
| 0310 | 84006555 | 1 | HOUSING, Blower |
| 0410 | 799830 | 1 | NUT |
| 0440 | 594146 | 1 | FILTER, A/C Cartridge |
| 0460 | 691985 | 1 | KNOB, Air Cleaner Cover |
| 0610 | 84006756 | 1 | STARTER, Rewind |
| 0870 | 596293 | 1 | BASE, Air Cleaner |
| 0900 | ----- | 1 | ENGINE, 208CC, BLACK RECOIL -(Complete Engine Not Servicable) |
| 0960 | 596292 | 1 | COVER, Air Cleaner |

Not For Reproduction

Main Unit

Note: Unless noted otherwise, use the standard torque specifications

Mfg. No: 020798-00



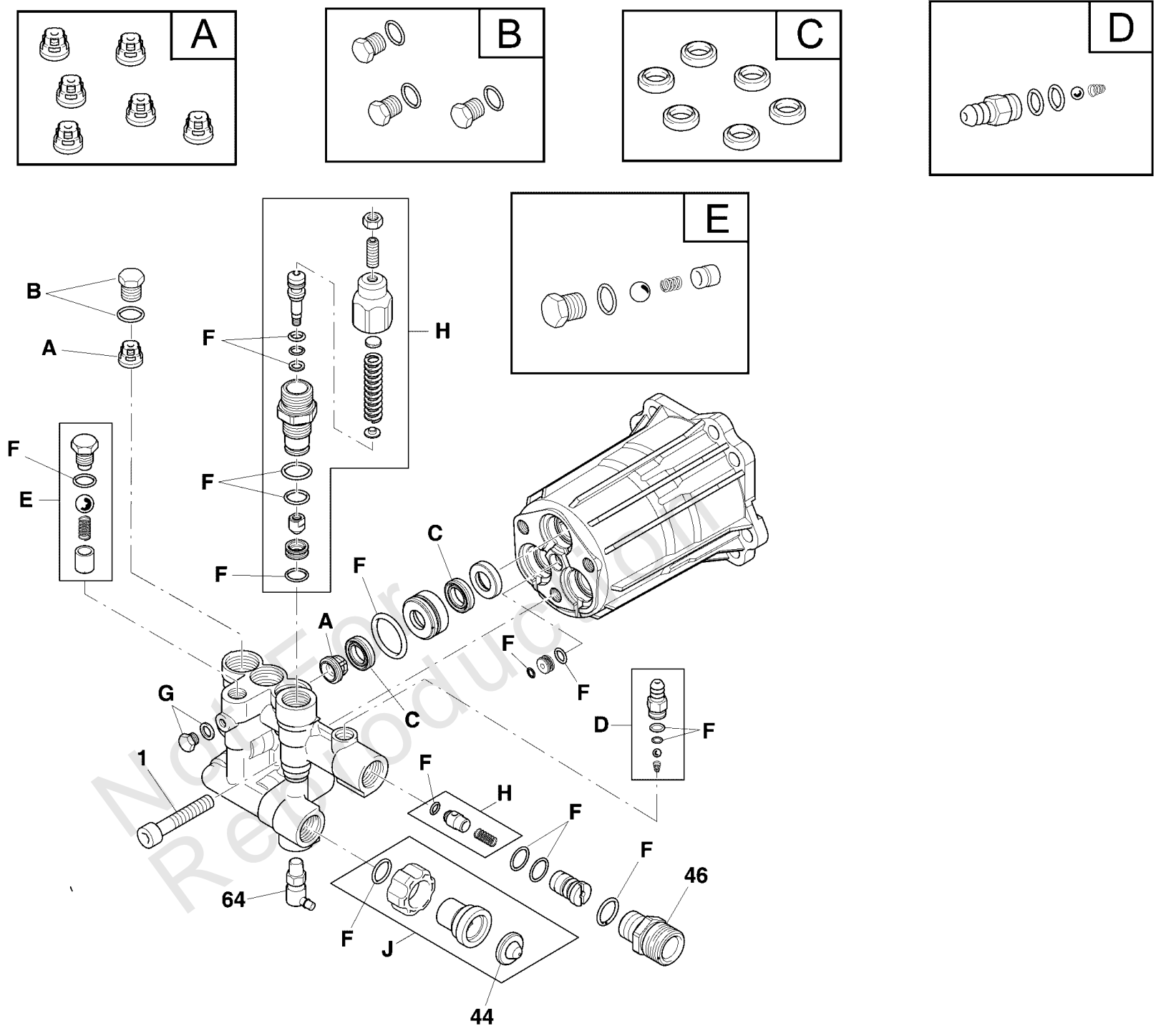
Main Unit

| REF NO | PART NO | QTY | DESCRIPTION |
|--------|----------|-----|---|
| 1 | 84006759 | 1 | BASE -(Includes Item 3) |
| 2 | 84006752 | 1 | HANDLE |
| 3 | 189332GS | 2 | PLUG, Hole |
| 4 | 705851 | 1 | DECAL-Warning Spark |
| 5 | 100005 | 1 | OIL-4 CYCLE 30W 18OZ. |
| 6 | 84006750 | 1 | KIT-BILLBOARD -(Includes Item 7) |
| 7 | 84006781 | 1 | KIT-Hardware, Billboard Mounting |
| 8 | 318112GS | 1 | PUMP |
| 9 | 192131GS | 1 | KIT, Hardware, Pump Mounting |
| 10 | 704973 | 1 | KIT-QC NOZZLES |
| 10 | 84006755 | 1 | MULTI-NOZZLE, QC |
| 15 | 84001720 | 1 | KIT-HANDLE |
| 16 | 84002531 | 1 | KIT-TAG, WARNING |
| 17 | 84001717 | 1 | STRAP |
| 18 | 84006782 | 1 | KIT, Accessory -(Includes Items 7, 15) |
| 19 | 23139GS | 1 | KEY |
| 20 | 312369GS | 1 | CAP-CHEMICAL TANK |
| 21 | 84006503 | 1 | KIT-CHEMICAL TANK |
| 22 | 195964GS | 2 | CLIP |
| 23 | 84004780 | 1 | GUN |
| 24 | 705001 | 1 | KIT-O-RING |
| 25 | 706595 | 1 | WAND-QC |
| 26 | 84006753 | 1 | HOSE ASSEMBLY |
| 27 | 84006751 | 1 | AXLE |
| 28 | 22304GS | 2 | Washer, Flat 1/2 |
| 29 | 315543GS | 1 | PUSHNUT |
| 30 | 705076 | 1 | HOSE-CHEMICAL |
| 31 | 84006363 | 2 | WHEEL -(Includes Item 29) |
| 32 | 84006505 | 1 | KIT-MOUNT, VIBRATION |
| 33 | 192134GS | 1 | KIT, Vibration Mount |
| 900 | ----- | 1 | ENGINE, 208CC, BLACK RECOIL -(Not Serviced as a Complete Assembly. Refer to 80098013 Component Groups) |
| -- | 6039 | 1 | PUMP Saver -(Optional Accessory - Not Included) |
| -- | 6059 | 1 | PERFECT MIX MULTI-PURPOSE WASH -(Optional Accessory - Not Included) |
| -- | 6060 | 1 | PERFECT MIX CONCRETE BRICK & TILE CLEANER -(Optional Accessory - Not Included) |

Pump (316932srv)

Note: Unless noted otherwise, use the standard torque specifications

Mfg. No: 020798-00



Pump (316932srv)

| REF NO | PART NO | QTY | DESCRIPTION |
|--------|----------|-----|---|
| 1 | 204087GS | | SCREW |
| 44 | B2384GS | | FILTER, Garden Hose |
| 46 | 204083GS | | FITTING, Outlet |
| 64 | 208673GS | | VALVE, Thermal Relief |
| A | 204082GS | | *KIT, Check Valve -(Refer to Footnote*) |
| B | 317056GS | | * KIT, Plug -(Refer to Footnote*) |
| C | 204084GS | | * KIT, Water Seals -(Refer to Footnote*) |
| D | 317787GS | | *KIT, Chemical Injector -(Refer to Footnote*) |
| E | 317788GS | | *KIT, Easy Start -(Refer to Footnote*) |
| F | 317843GS | | *KIT, O-Ring -(Refer to Footnote*) |
| G | 200350GS | | * KIT, Grub Screw & Washer -(Refer to Footnote*) |
| H | 706610 | | * KIT, Unloader -(Refer to Footnote*) |
| J | 204085GS | | * KIT, Water Inlet -(Refer to Footnote*) |
| -- | 6039 | | PUMP Saver -(Optional Accessory) |
| | 6059 | | PERFECT MIX MULTI-PURPOSE WASH |
| | 6160 | | Project Pro® PerfectMix Concrete, Brick, And Tile Cleaner |
| -- | 6033 | | OIL BOTTLE -(Optional Accessory) |

Footnotes:

* Service Kit includes all parts shown in box.

Hardware Identification & Torque Specifications

| Torque Specification Chart | | | | | | | | |
|--|-----------|------|-----------|------|------------|------|------------|------|
| FOR STANDARD METRIC MACHINE HARDWARE (Tolerance ± 20%) | | | | | | | | |
| Property Class | 5.6 | | 8.8 | | 10.9 | | 12.9 | |
| | Class 5.6 | | Class 8.8 | | Class 10.9 | | Class 12.9 | |
| Size Of Hardware | in/lbs | Nm. | in/lbs | Nm. | in/lbs | Nm. | in/lbs | Nm. |
| | ft/lbs | | ft/lbs | | ft/lbs | | ft/lbs | |
| M3 | 5.88 | .56 | 13.44 | 1.28 | 19.2 | 1.80 | 22.92 | 2.15 |
| M4 | 13.44 | 1.28 | 30.72 | 2.90 | 43.44 | 4.10 | 52.56 | 4.95 |
| M5 | 26.4 | 2.50 | 60.96 | 5.75 | 5.97 | 8.10 | 7.15 | 9.7 |
| M6 | 44.64 | 4.3 | 7.3 | 9.9 | 10.3 | 14 | 12.1 | 16.5 |
| M7 | 5.2 | 7.1 | 12.1 | 16.5 | 16.9 | 23 | 19.9 | 27 |
| M8 | 7.7 | 10.5 | 17.7 | 24 | 25 | 34 | 29 | 40 |
| M10 | 15 | 21 | 35 | 48 | 50 | 67 | 59 | 81 |
| M12 | 26 | 36 | 61 | 83 | 86.2 | 117 | 103 | 140 |
| M14 | 42 | 58 | 101 | 132 | 136 | 185 | 162 | 220 |
| M16 | 64 | 88 | 147 | 200 | 210 | 285 | 250 | 340 |
| M18 | 89 | 121 | 202 | 275 | 287 | 390 | 346 | 470 |
| M20 | 126 | 171 | 290 | 390 | 405 | 550 | 486 | 660 |
| M22 | 169 | 230 | 390 | 530 | 559 | 745 | 656 | 890 |
| M24 | 217 | 295 | 497 | 375 | 708 | 960 | 840 | 1140 |
| M27 | 320 | 435 | 733 | 995 | 1032 | 1400 | 1239 | 1680 |
| M30 | 435 | 590 | 995 | 1350 | 1401 | 1900 | 1681 | 2280 |
| M33 | 590 | 800 | 1349 | 1830 | 1902 | 2580 | 2278 | 3090 |
| M36 | 759 | 1030 | 1740 | 2360 | 2441 | 3310 | 2935 | 3980 |
| M39 | 988 | 1340 | 2249 | 3050 | 3163 | 4290 | 3798 | 5150 |

| Torque Specification Chart | | | | | | |
|---|-------------|-------|-------------|-------|-------------|---------|
| FOR STANDARD MACHINE HARDWARE (Tolerance ± 20%) | | | | | | |
| Hardware Grade | No Marks | | SAE Grade 5 | | SAE Grade 8 | |
| | SAE Grade 2 | | SAE Grade 5 | | SAE Grade 8 | |
| Size Of Hardware | in/lbs | Nm. | in/lbs | Nm. | in/lbs | Nm. |
| | ft/lbs | | ft/lbs | | ft/lbs | |
| 8-32 | 19 | 2.1 | 30 | 3.4 | 41 | 4.6 |
| 8-36 | 20 | 2.3 | 31 | 3.5 | 43 | 4.9 |
| 10-24 | 27 | 3.1 | 43 | 4.9 | 60 | 6.8 |
| 10-32 | 31 | 3.5 | 49 | 5.5 | 68 | 7.7 |
| 1/4-20 | 66 | 7.6 | 8 | 10.9 | 12 | 16.3 |
| 1/4-28 | 76 | 8.6 | 10 | 13.6 | 14 | 19.0 |
| 5/16-18 | 11 | 15.0 | 17 | 23.1 | 25 | 34.0 |
| 5/16-24 | 12 | 16.3 | 19 | 25.8 | 29 | 34.0 |
| 3/8-16 | 20 | 27.2 | 30 | 40.8 | 45 | 61.2 |
| 3/8-24 | 23 | 31.3 | 35 | 47.6 | 50 | 68.0 |
| 7/16-14 | 30 | 40.8 | 50 | 68.0 | 70 | 95.2 |
| 7/16-20 | 35 | 47.6 | 55 | 74.8 | 80 | 108.8 |
| 1/2-13 | 50 | 68.0 | 75 | 102.0 | 110 | 149.6 |
| 1/2-20 | 55 | 74.8 | 90 | 122.4 | 120 | 163.2 |
| 9/16-12 | 65 | 88.4 | 110 | 149.6 | 150 | 204.0 |
| 9/16-18 | 75 | 102.0 | 120 | 163.2 | 170 | 231.2 |
| 5/8-11 | 90 | 122.4 | 150 | 204.0 | 220 | 299.2 |
| 5/8-18 | 100 | 136 | 180 | 244.8 | 240 | 326.4 |
| 3/4-10 | 160 | 217.6 | 260 | 353.6 | 386 | 525.0 |
| 3/4-16 | 180 | 244.8 | 300 | 408.0 | 420 | 571.2 |
| 7/8-9 | 140 | 190.4 | 400 | 544.0 | 600 | 816.0 |
| 7/8-14 | 155 | 210.8 | 440 | 598.4 | 660 | 897.6 |
| 1-8 | 220 | 299.2 | 580 | 788.8 | 900 | 1,244.0 |
| 1-12 | 240 | 326.4 | 640 | 870.4 | 1,000 | 1,360.0 |

The guides and ruler furnished below are designed to help you select the appropriate hardware.



Nut, M8

Thread Diameter (mm)

Inside Diameter (in) Threads per inch

Nut, 1/2-16



Screw, M8- 1.25 x 25

Thread Diameter (mm) Distance between threads (mm) Body Length (mm)

Body Diameter Threads per inch Body Length (in)

Screw, 1/2- 16 x 2



Standard Hardware Sizing

When a washer or nut is identified as 1/2" (M8), this is the *Nominal size*, meaning the *inside diameter* is 1/2 inch (8mm metric thread diameter); if a second number is present it represents the *threads per inch* (distance between threads).

When bolt or capscrew is identified as 1/2 - 16 x 2" (M8 - 1.25 x 50), this means the *Nominal size*, or body diameter is 1/2 inch (8mm metric thread diameter), the second number, 16, represents the *threads per inch*, (*distance between threads*). The final number is the body length of the bolt or screw, 2 inches (50mm).

NOTES

- These torque values are to be used for all hardware excluding: locknuts, self-tapping screws, thread forming screws, sheet metal screws and socket head setscrews.
- Recommended seating torque values for locknuts:
 - for prevailing torque locknuts - use 65% of grade 5 torques.
 - for flange whizlock nuts and screws - use 135% of grade 5 torques.
- Unless otherwise noted on assembly drawings, all torque values must meet this specification.

Common Hardware Types

Hex Head Capscrew



Washer



Carriage Bolt



Hex Nut

Wrench & Fastener Size Guide

| | | | | |
|----------------------------------|----------------------------------|----------------------------------|--|---------------------------------|
| | | | | |
| 1/4" Bolt or Nut Wrench—7/16" | 5/16" Bolt or Nut Wrench—1/2" | 3/8" Bolt or Nut Wrench—9/16" | 7/16" Bolt or Nut Wrench (Bolt)—5/8" Wrench (Nut)—11/16" | 1/2" Bolt or Nut Wrench—3/4" |
| M6 Bolt or Nut Wrench—10mm | M8 Bolt or Nut Wrench—13mm | M10 Bolt or Nut Wrench—17mm | M12 Bolt or Nut Wrench—19mm | M14 Bolt or Nut Wrench—22mm |

